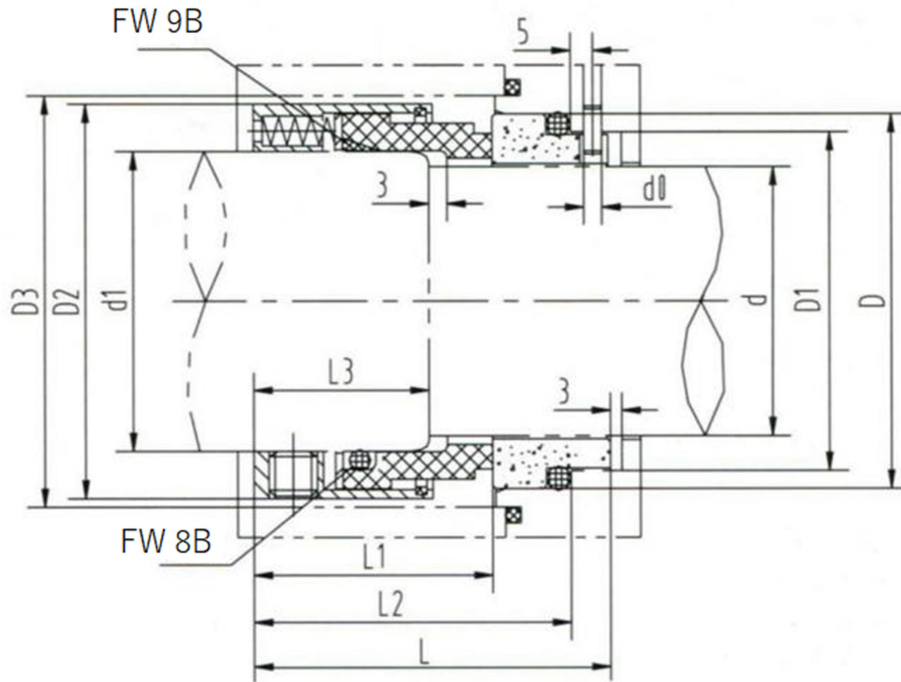


FW-58B and FW-59B Mechanical Seal Dimension Chart



Dimensions	d	d1	D	D1	D2	D3	L	L1	L2	L3	d0
Shaft Sizes	h6	h6	H8	H11							
20	20	24	35	29	38	40	52.5	31.5	45.0	25.0	3
22	22	26	37	31	40	42	52.5	31.5	45.0	25.0	3
24	24	28	39	33	42	44	54.5	34.2	47.5	27.5	3
25	25	30	40	34	44	46	54.5	34.5	47.5	27.5	3
28	28	33	43	37	47	49	57.0	37.5	50.0	30.0	3
30	30	35	45	39	49	51	57.0	38.0	50.0	30.0	3
32	32	38	48	42	54	58	57.0	38.0	50.0	30.0	3
33	33	38	48	42	54	58	57.0	38.0	50.0	30.0	3
35	35	40	50	44	56	60	57.0	38.0	50.0	30.0	3
38	38	43	56	49	59	63	59.5	39.5	52.5	29.5	4
40	40	45	58	51	61	65	59.5	39.5	52.5	29.5	4
43	43	48	61	54	64	68	59.5	39.5	52.5	29.5	4
45	45	50	63	56	66	70	59.5	39.5	52.5	29.5	4
48	48	53	66	59	69	73	59.5	39.5	52.5	29.5	4
50	50	55	70	62	71	75	64.5	44.0	57.5	32.5	4
53	53	58	73	65	78	83	64.5	44.0	57.5	32.5	4
55	55	60	75	67	80	85	64.5	44.0	57.5	32.5	4
58	58	63	78	70	83	88	69.5	49.0	62.5	37.5	4
60	60	65	80	72	85	90	69.5	49.0	62.5	37.5	4
63	63	68	83	75	88	93	69.5	49.0	62.5	37.5	4
65	65	70	85	77	90	95	69.5	49.0	62.5	37.5	4
70	70	75	92	83	99	104	77.0	55.5	70.0	42.0	4
75	75	80	97	88	104	109	77.0	55.5	70.0	42.0	4
80	80	85	105	95	109	114	77.0	55.0	70.0	42.0	4
85	85	90	110	100	114	119	82.0	60.0	75.0	47.0	4
90	90	95	115	105	119	124	82.0	60.0	75.0	47.0	4
95	95	100	120	110	124	129	82.0	60.0	75.0	47.0	4
100	100	105	125	115	129	134	82.0	60.0	75.0	47.0	4